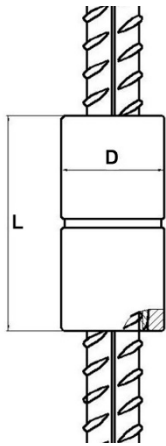


Taper Sleeve Locking Coupler Dimensions

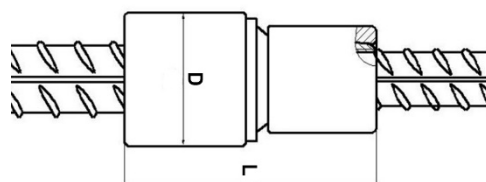
Standard Models

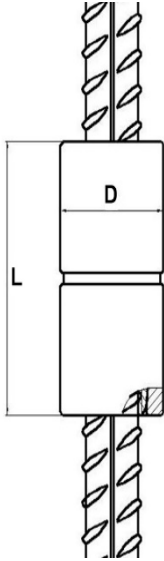


Product Code	Rebar Size	Inner Diameter (mm)	Outer Diameter (mm)	Completion Length (mm)
RGCZB1269	12	11.1	24	69
RGCZB1477	14	12.7	27	77
RGCZB1685	16	15.4	31	85
RGCZB1893	18	17.3	35	93
RGCZB20102	20	19.3	38.5	101
RGCZB22109	22	21.3	43	109
RGCZB24116	24	24.2	49	117
RGCZB28125	28	27.2	54	125
RGCZB32133	32	31	61	133
RGCZB36140	36	35	69	141
RGCZB40148	40	38.7	76.5	149
RGCZB50173	50	48.5	96	173

Reducing Models

Product Code	Rebar Size	Big Sleeve Inner Dia. (mm)	Big Sleeve Outer Dia. (mm)	Small Sleeve Inner Dia. (mm)	Small Sleeve Outer Dia. (mm)	Completion Length (mm)
RGRCZY14-12	14-12	12.7	27	11.1	24	77
RGRCZY16-14	16-14	15.4	31	12.7	27	85
RGRCZY18-16	18-16	17.3	35	15.4	31	93
RGRCZY20-18	20-18	19.3	38.5	17.3	35	101
RGRCZY22-20	22-20	21.3	43	19.3	38.5	109
RGRCZY24-22	24-22	23.2	49	21.3	43	117
RGRCZY28-24	28-24	27.2	54	23.2	49	125
RGRCZY32-28	32-28	31	61	27.2	54	133
RGRCZY36-32	36-32	35	69	31	61	141
RGRCZY40-36	40-36	38.7	76.5	35	69	149
RGRCZY50-40	50-40	48.5	96	38.7	76.5	173



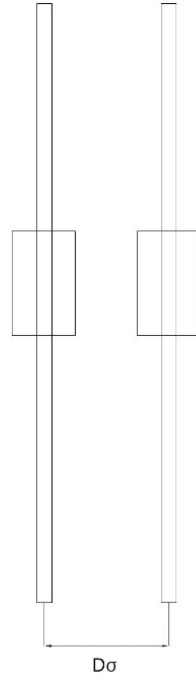
Extension Models


Product Code	Rebar Size	Inner Diameter (mm)	Outer Diameter (mm)	Completion Length (mm)	Tolerance of bar displacement (mm)
RGECZL12119	12	11.1	24	119	50
RGECZL1127	14	12.7	27	127	50
RGECZL16135	16	15.4	31	135	50
RGECZL18143	18	17.3	35	143	50
RGECZL20151	20	19.3	38.5	151	50
RGECZL22159	22	21.3	43	159	50
RGECZL24167	24	23.2	49	167	50
RGECZL28175	28	27.2	54	175	50
RGECZL32183	32	31	61	183	50
RGECZL36191	36	35	69	191	50
RGECZL40199	40	38.7	76.5	199	50
RGECZL50223	50	48.5	96	223	50

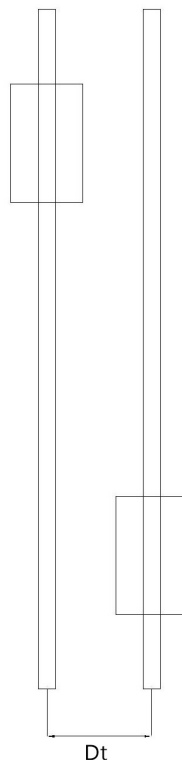
Space Between Reinforcing Bars

Recommended Calculation Method:

- For couplers in the same cross-section: **Coupler diameter + 25 mm** is the minimum recommended / allowable center-to-center distance of the rebars.



- For staggered couplers: **(Coupler diameter / 2) + (Rebar diameter / 2) + 25 mm** is the minimum recommended / allowable center-to-center distance.



Recommended Minimum Center-to-Center Distance of Rebars (values rounded to next nearest 5mm to allow for onsite tolerances):

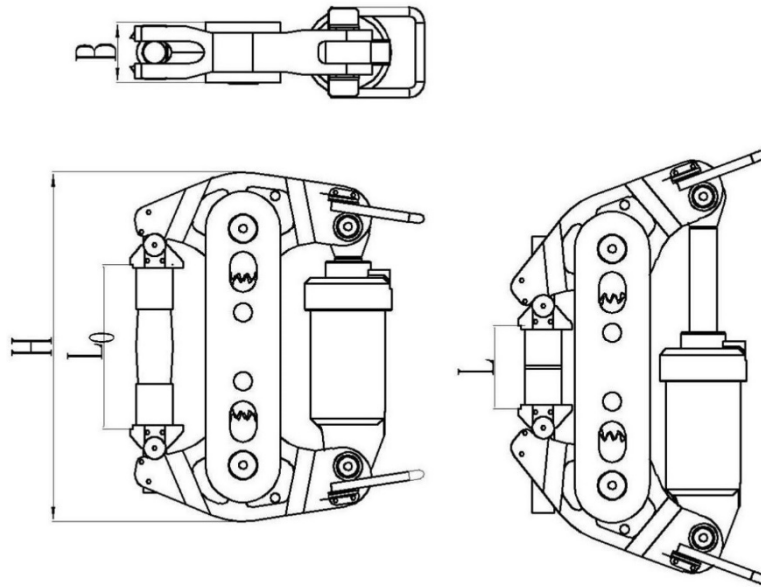
Table1:

Rebar Size	Coupler Diameter (mm)	Minimum Center-to-Center Distance of Staggered Rebars (mm) "Dt"	Minimum Center-to-Center Distance of Rebars in the Same Cross-Section (mm) "Dσ"
20	39	55	65
22	44	60	70
25	50	65	75
28	55	70	80
32	62	75	90
36	70	80	95
40	77	85	105
50	97	100	125

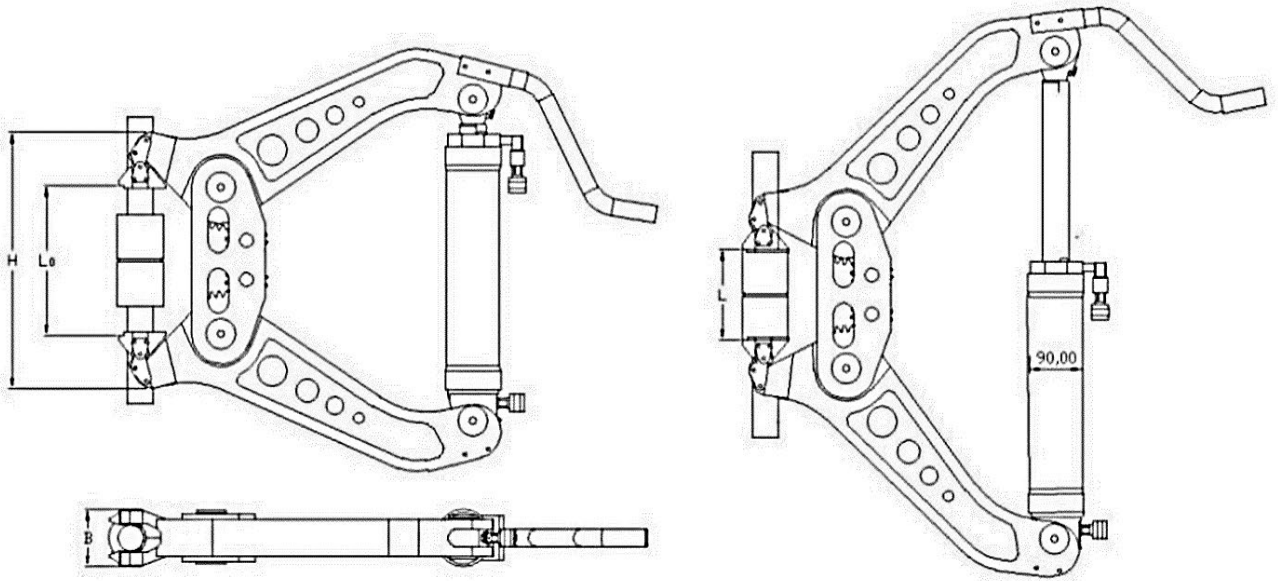
Note 1: Values shown in Table 1 are recommended only and can be modified based on direction from the certifying Structural engineer if required for specific project.

Note 2: If multiple layers of rebars are being installed, the space required for inserting the hydraulic clamp must be considered. The requirements may vary depending on the specific construction location and project's design.

Note 3: Specific standards for concrete structures may vary by country. In practice, it's essential to understand and follow local standards, codes, and regulations.

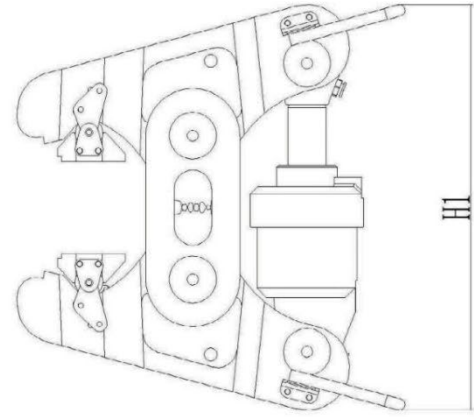
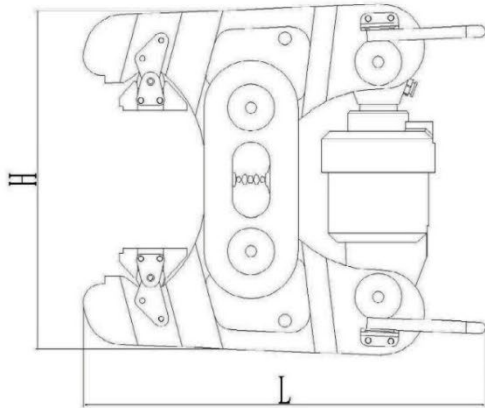
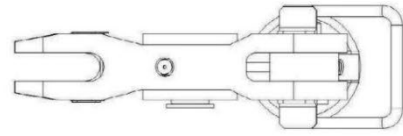
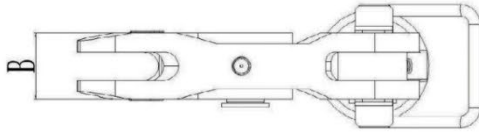

H-Type Clamp

All measurement unit in millimetre (mm)										
Rebar Size	Coupler Outer Diameter	Coupler Length Before Clamp (L0)	Coupler Length After Clamp (L)	Total Rebar Clearance For Clamping (H)	Clamp Jaw Width (B)	Clamp Working Pressure (MPa)	Clamp Model	Clamp Max Pressure (Mpa)	Clamp Body Width/Height	Clamp Arms Clearance
12	24	120	69	400	70	45	JSZQ H-20	70	75/320	550
14	27	130	77			50				
16	31	140	85			55				
18	35	150	93			60				
20	39	170	101			60				
22	43	180	109	430	75	60	JSZQ H-25	70	85/370	600
24	49	200	117							
28	54	210	125	450	90	60	JSZQ H-32	70	100/400	700
32	62	220	133							
36	69	240	141	520	100	60	JSZQ H-40	70	105/420	800
40	76	250	149							
50	94	310	173	660	120	60	JSZQ H-50	70	115/500	900

HL-Type Clamp: JSZQ HL-40


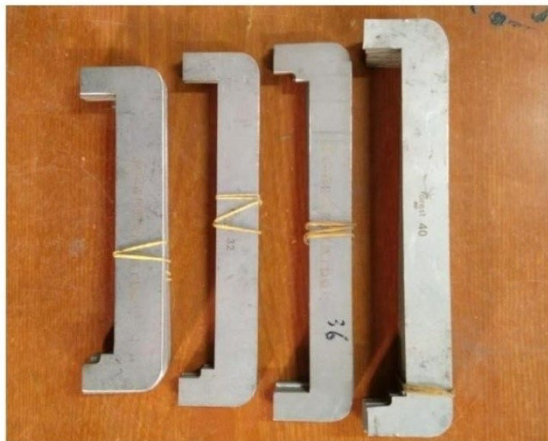
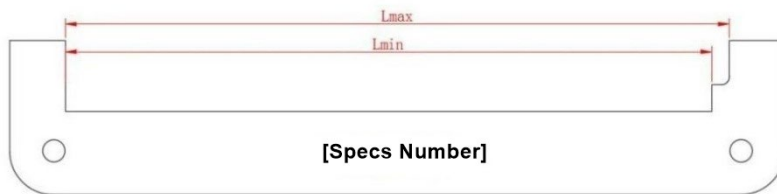
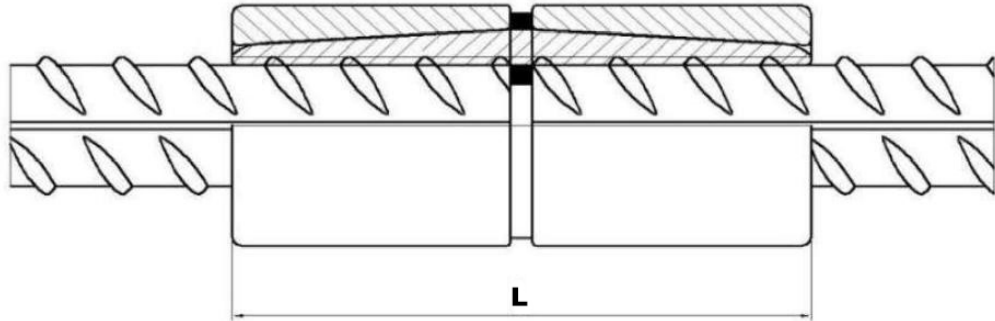
Rebar Size (mm)	Coupler Length (mm)		Clamp Jaw (mm)		Working Pressure (MPa)	Clamp Model (mm)	Clamp Width (mm)	Clamp Arms Clearance (mm)	Clamp Weight (Kg)
	Before Clamp (L0)	After Clamp (L)	Jaws Clearance (H)	Jaws Width (B)					
12	120	69	425	100	15	JSZQ HL-40	95	670	80
14	130	77			20				
16	140	85			25				
18	150	93			30				
20	170	101			35				
22	180	109			40				
24	200	117			45				
28	210	125			50				
32	220	133			55				
36	240	141			60				
40	250	149	65						

HS Type Clamp



Rebar Size (mm)	Coupler Length (mm)		Clamp (mm)					
	Before Clamp	After Clamp	Clamp Model	Width (B)	Clamp Jaws Clearance (H)	Clamp Arms Clearance (H1)	Clamp Length (L)	Clamp Weight (Kg)
24	200	117	HS-25	80	360	430	430	41
28	210	125	HS-28	85	390	480	510	57
32	220	133	HS-32	85	420	520	530	58
36	240	141	HS-36	95	400	430	460	46
40	250	149	HS-40	100	470	500	580	85
50	310	173	HS-50	120	510	570	650	120

Caliper Inspection



Rebar Size (Specs Number)	16	18	20	22	24	28	32	36	40	50
Completion Length (L) With Tolerances ± 2.0 mm	85	93	101	109	117	125	133	141	149	173
Applicable Clamp Model	JSZQ H-20			JSZQ H25		JSZQ H32		JSZQ H40		JSZQ H50

Note:

- The length (L) of reducing coupler is refer to the standard model of the bigger size coupler.
- When the length (L) is lower than the Lmin, it DOES NOT affect the quality of coupling.
- It is normal to see mark on the sleeves after clamping, it is caused by the powerful pressure of the clamp. This DOES NOT affect the quality of coupling.